

Angular Contact Ball Bearings

Bearing No. : **NACHI 7234DF**

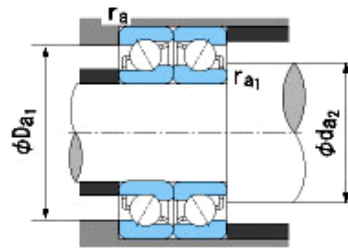
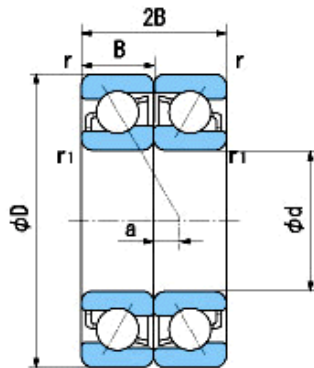
■ **Bearing Type**

■ **Clearance**

■ **Tolerance Class**

Dimensions

d = 170⁰_{-0.025}
 D = 310⁰_{-0.035}
 B = 52⁰_{0.000}
 r = 4~6.5
 (Radial Direction)
 r = 4~9
 (Axial Direction)
 r1 = 1.5~3
 (Radial Direction)
 r1 = 1.5~5
 (Axial Direction)
 a = 43.3



Dimensions

da1(min) = 188
 da2(min) = 179
 Da1(max) = 292
 Da2(max) = 301
 ra(max) = 3
 ra1(max) = 1.5
 Mass = 34.8 kg

Basic Dynamic Load Rating Cr : **440,000** N

Basic Static Load Rating Cor : **660,000** N

Limiting Speed ;

Grease Lubrication : **1,400** min⁻¹

Oil Lubrication : **1,900** min⁻¹

	INNER RING	OUTER RING
O.D.Surface Runout with Side :		-
Axial Runout with Bore :	-	-
Axial Runout with Raceway :	-	-
Width Variation :	0.030	0.030
Radial Runout :	0.030	0.060